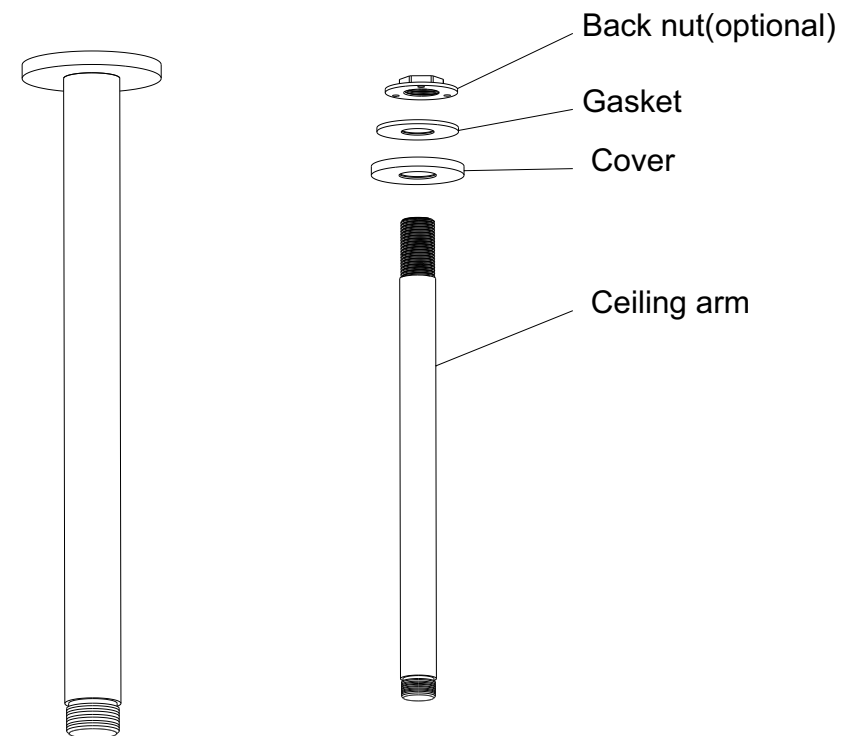


Ceiling arm Installation



This ceiling arm is intended to be used in conjunction with other products, such as shower or blending valves, diverter, stopcocks and shower roses.

Tools You'll Need



INSTALLATION

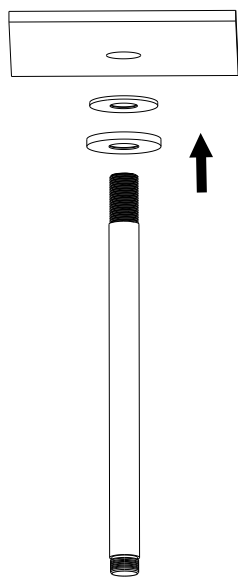
The ceiling arm should be arranged in your system to accept a supply of flow controllable mixed water.

1. Identify all components, study diagram and check for completeness, particularly before arranging fitting.

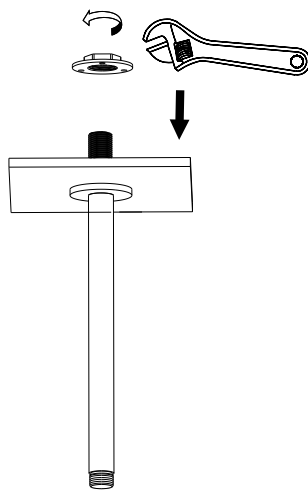
2. The arm is most suitable for mounting via the back nut either side of a panel and/or tiles. However it is possible to support the arm using rigid pipework by connecting via a female G 1/2" BSP to 15mm compression adaptor. The 15mm pipework can then be adjusted to offer the necessary depth and vertical positioning for the eventual shower fixed head.

⚠ Before finishing wall turn on water supplies to check for leaking from joints / connections.

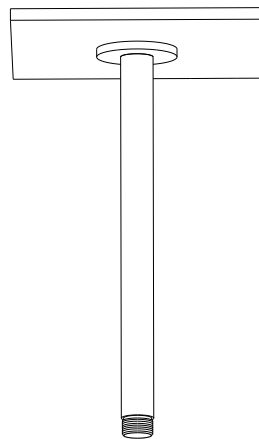
①



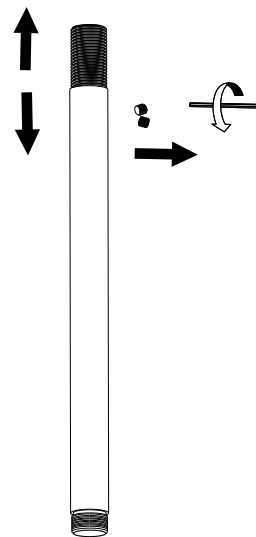
②



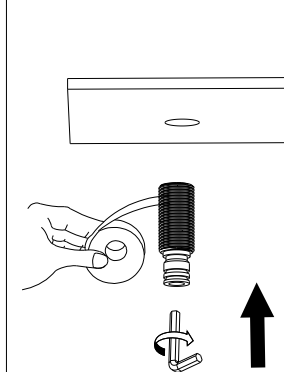
③



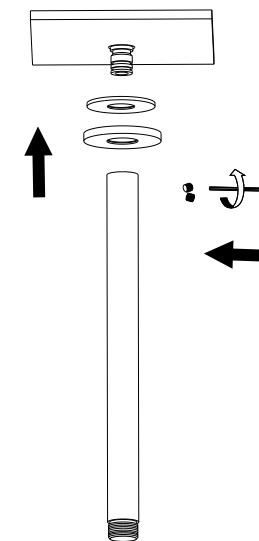
①



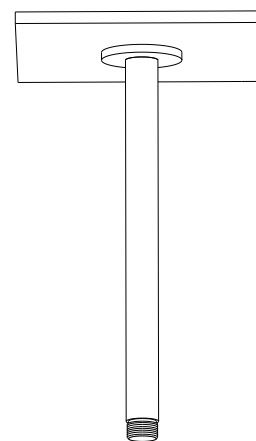
②



③



④



General Cleaning

Products are made from premium materials, with hand polishing and electroplated finishes.

Your taps or shower should be regularly cleaned with warm water, a mild pH-neutral liquid soap, and polished with a soft cloth. Any residues from soap, toilettries etc. should be rinsed off straight after use. Failure to follow the cleaning instruction may result in the warranty being invalid.

Household bleaches and cleaners contain harsh chemicals and may damage the surface finish. Avoid using abrasive cloths, scouring pads, scrub sponges, steel wool or anything similar.